

About These Instructions

This audio display system is, when assembled, a very heavy freestanding object. Assemble this display unit as close as possible to the area where it will be displayed, keeping in mind that a 110VAC 60Hz wall or floor outlet is required for the system to work. Prepare the work area by removing any obstructions that may be in the way during assembly. The location should be selected so that the power cord that runs from the assembled display to the outlet will not present a trip hazard. It is recommended that two persons be utilized for the following assembly procedures.



Some of the pieces of this display unit are heavy and bulky. The surface of these pieces may be easily scratched or otherwise marred if extreme caution is not exercised when handling them. It is recommended that these large pieces be placed on a large piece of cardboard or blanket to prevent their finishes from being damaged.

The display, when assembled, should look like Figure 1.

Before You Start

Verify that the shipping cartons contain all the parts specified in the table below by checking off each item. Ensure that there is no evidence of shipping damage to any of the components. If there are missing or damaged components, **Stop** and call your Auto Customer Service Account Manager at 1-800-766-8899, Monday through Friday, 8 a.m. – 5 p.m. EST.

<i>Item #</i>	<i>Qty</i>	<i>Fig #</i>	<i>Description</i>	<i>Received (√)</i>
1.0	1	4	Base Unit Assembly	
2.0	1	3	Auto Radio Display Assembly	
3.0	1	2	Genuine Speaker Tower Assembly	
4.0	1	2	Audio Speaker Tower Assembly	

Ensure that you have received all seven (7) radio and peripheral units from Auto and that they are in the assembly area. Peripherals – tape player, CD players, CD controller, and CD changer.

Collect together the following:

1. Set of socket wrenches.
2. One (1) Phillips screwdriver.
3. Two pieces of 2" X 4" lumber approximately 12" long to be used as a support for the base of the unit during assembly.
4. A small table or workbench on which you can preassemble the radios and peripherals.
5. Plastic tie wraps.

Phase A: Preparing for Assembly



Do not begin assembly until you are familiar with the parts.

The Audio display unit consists of a base and three towers. This section describes how to unpack the components of the display unit and get them ready for assembly. See figures 2 and 3.

1. Carefully remove the base and the three towers from their boxes. The towers consist of a left speaker tower, a right speaker tower, and one radio console tower.
2. Put the base on the floor, black side up. Notice that the base has three (3) sets of *dimples*. These dimples are covered threaded holes. These sets of four bolt holes mark the place where the towers will be bolted to the base.
3. Place all three towers in an upright position on the floor near the display base as follows: Place the radio console tower in the center; put the speaker tower with the "Genuine" sign on the left side and the speaker tower with the "Audio" sign on the right side of the radio console with the "Auto" sign facing out. See figure 1.

4. Before proceeding further, examine one of the speaker towers. Each tower has two main sections: a plastic acoustic housing (top portion) and a wooden base cabinet. (Note: The wires with which you will connect the speakers to the radio console tower are located inside the speaker tower base cabinet and are attached to the speakers.) To install the speaker towers to the base, you must first remove the access doors from their lower base cabinets. See figure 2. Be sure to keep track of which door goes to which tower because they might be slightly different.
5. Remove the access door from the base of the speaker tower by placing your hands on the left and right sides of the door. The door is secured with spring clips. To remove it, pull straight back firmly but gently.

Figure 2 shows the speaker panels of the upper housing removed. This is shown for reference purposes only and should not be attempted at this time. All components in the upper housing are already assembled and ready for use.

6. Examine the radio console tower. The radio console tower has two sections: a plastic top section and a wooden lower cabinet. The top section consists of two sections of molded plastic: a main housing and a front panel. The main housing will hold the radios and peripherals to be displayed; the front panel serves as a frame and retainer for the radios and peripherals. The selector switches used to activate the units in the display are located on, and preassembled to, the main housing.

Figure 2

Assembling
a speaker
tower

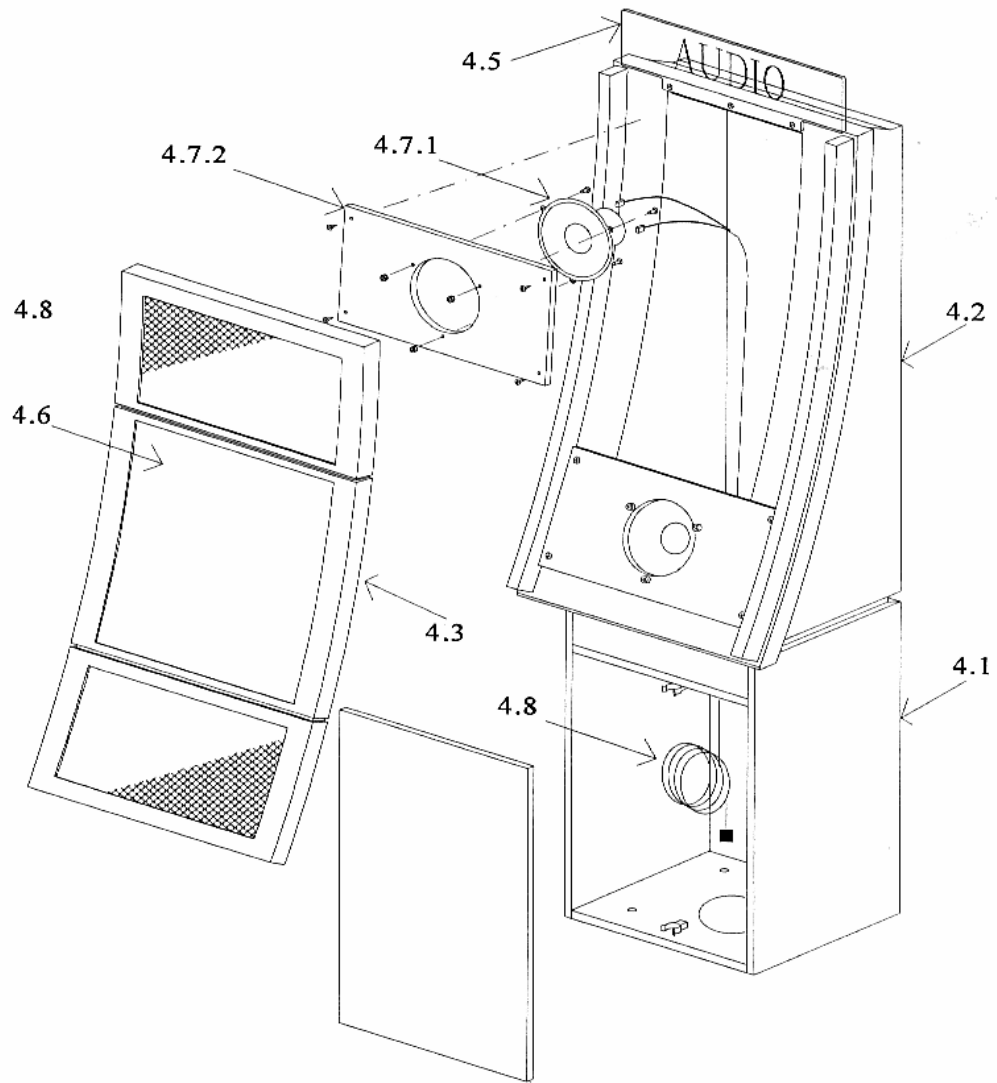


Figure 2